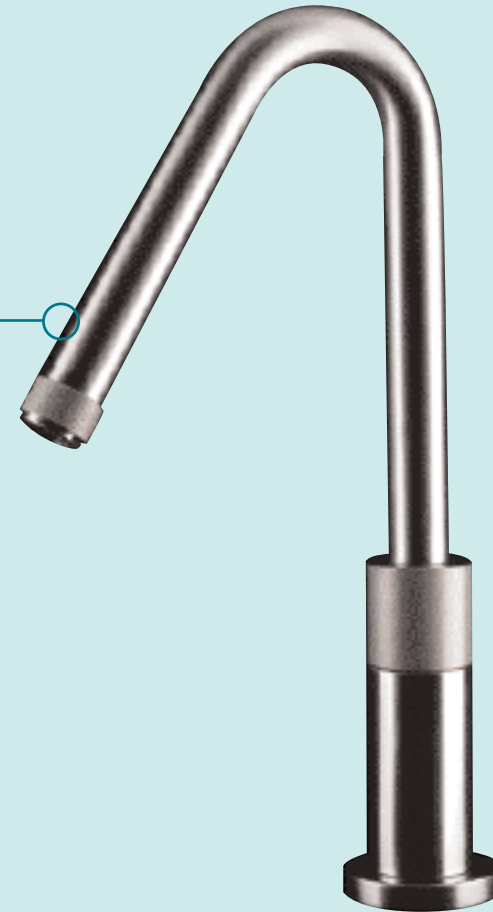


BELLEZZA

Progression valve

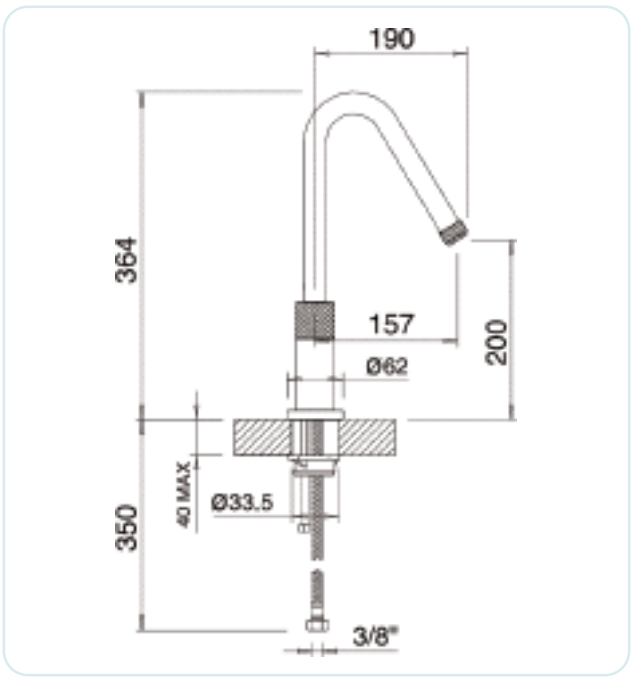
The Bellezza progression valve tap is the height of simple minimalist design. Combining progression valve technology and stunning cylindrical styling, the Bellezza is the perfect accompaniment to any contemporary kitchen setting.

It is available in a stunning chrome or brushed steel finish.



BELLEZZA

Progression valve



Minimum Recommended Pressure:
 ● Use with pressurised water system of 2 to 5 Bar

- Features:
- Progression valve
 - Single Flow
 - Fast fit Flexi-Tails

Finishes available

	
Chrome	Brushed Steel
TP0464	TP0465

Progression valves are the latest advancement in tap technology. To operate, simply turn the control in the centre of the tap - there are no levers to twist or pull. The control at the end of the spout allows selection of the type of flow output. This style of operation creates simple, minimalist design.



We reserve the right to amend specifications, weights, measures and colour availability without prior notice. All measurements are in millimetres unless otherwise stated.