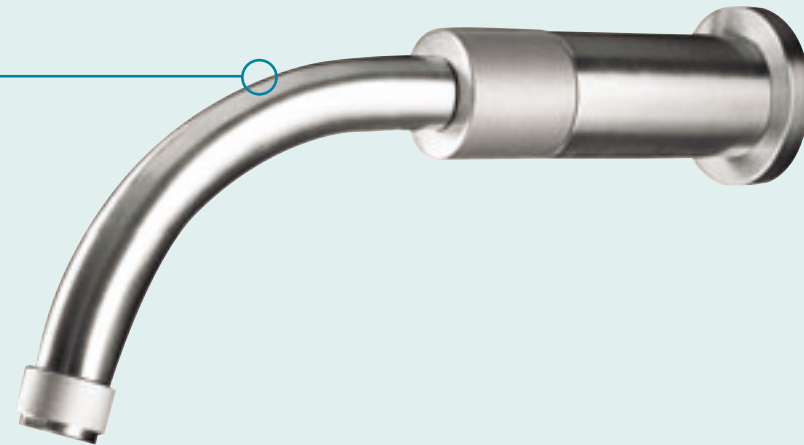


# BUONO

Wall mounted progression valve

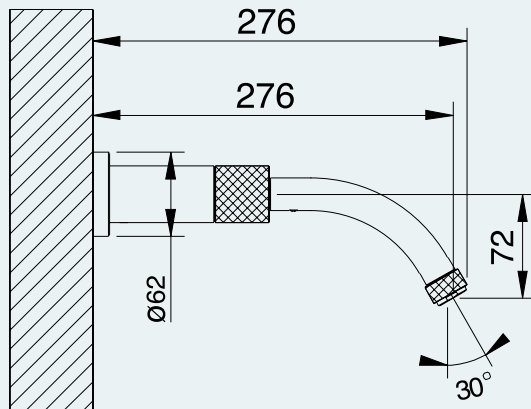
The Buono wall mounted progression valve tap provides an alternative to the traditional method of installing a kitchen tap. A wall mounted tap allows a smooth run of worktop with no obstructions. Combining progression valve technology and stunning cylindrical styling, the *Buono* is the perfect accompaniment to any minimalist kitchen environment.

It is available in a stunning chrome or brushed steel finish.



# BUONO

## Wall mounted progression valve



### Minimum Recommended Pressure:

- Use with pressurised water system of 2 to 5 Bar

### Features:

- Progression valve
- Single Flow
- Fast fit Flexi-Tails

### Finishes available



Chrome

Brushed  
Steel

TP0468 TP0469

Progression valves are the latest advancement in tap technology. To operate, simply turn the control in the centre of the tap - there are no levers to twist or pull. The control at the end of the spout allows selection of the type of flow output. This style of operation creates simple, minimalist design.

